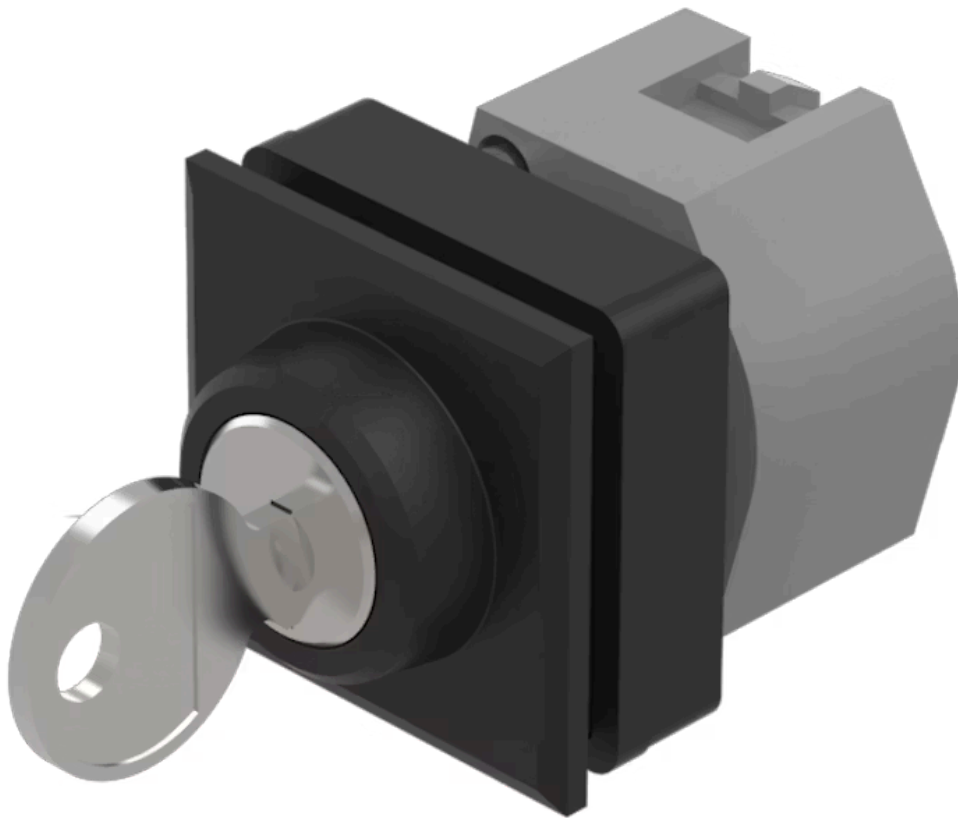


Actuator

704.343.000

Distribution by
Mouser



<https://mouser.eao.com/component/704.343.000/...>

Your product:



704.343.000 Actuator

FRONT

| | |
|------------------------------|---------------|
| Front dimension: | 35 mm x 35 mm |
| Front form: | Square |
| Front bezel colour: | Black |
| Front bezel material: | Plastic |

MOUNTING

| | |
|--------------------------|----------------|
| Design: | Flush |
| Mounting cut-out: | 30 mm x 30 mm |
| Mounting type: | Panel mounting |

ELECTRICAL CHARACTERISTICS

| | |
|-------------------|---|
| Standards: | The switches comply with the "Standards for low-voltage switching devices" DIN EN 60947-1 |
|-------------------|---|

MECHANICAL CHARACTERISTICS

| | |
|-----------------------------|-----------------------------|
| Switching action: | Rest (a) - Momentary |
| Switching positions: | 2 positions |
| Switching angle: | 42° right |
| Mechanical lifetime: | ≤50 000 cycles of operation |
| Weight: | 0.072 kg |

AMBIENT CONDITION

| | |
|-----------------------|-----------------|
| IP Protection: | IP65 front side |
|-----------------------|-----------------|

Operating temperature: - 40 °C ... + 55 °C

Storage temperature: - 40 °C ... + 85 °C

CERTIFICATE

REACH: REACH compliant

RoHS: RoHS compliant

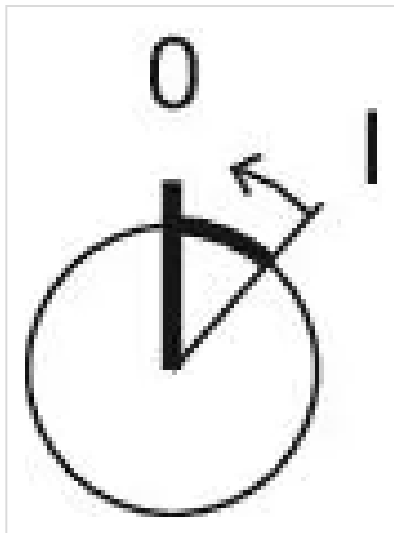
OTHER

Short Description: Actuator, 30 mm x 30 mm, 35 mm x 35 mm, Square, Black, Plastic, Rest (a) - Momentary

Hints: The standard lock Ronis 251
Further lock numbers on request
Max. 3 switching elements can be clipped on

max. number of switching elements: 3

Switching positions:



Wiring diagrams:



Mounting cut-outs:



- A = Screw terminal
- B = Push-in terminal (PIT)
- C = Plug-in terminal 6.3 mm x 0.8 mm
- D = Double plug-in terminal 6.3 mm x 0.8 mm

Dimension drawings:



- A = Screw terminal