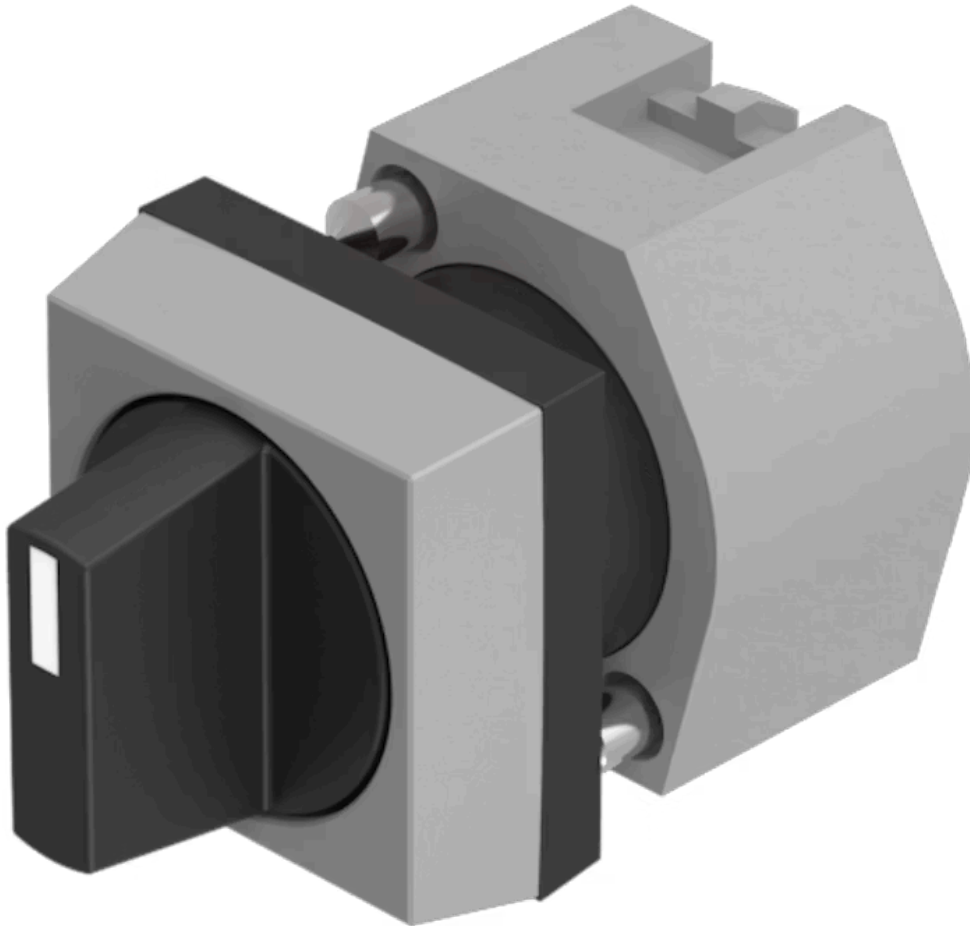


# Actuator

704.506.0

Distribution by  
Mouser



<https://mouser.eao.com/component/704.506.0/en...>

Your product:

---



## 704.506.0 Actuator

*Loading ...*

### FRONT

|                              |               |
|------------------------------|---------------|
| <b>Front dimension:</b>      | 30 mm x 30 mm |
| <b>Front form:</b>           | Square        |
| <b>Front bezel colour:</b>   | Grey          |
| <b>Front bezel material:</b> | Plastic       |

### MOUNTING

|                          |                |
|--------------------------|----------------|
| <b>Design:</b>           | Raised         |
| <b>Mounting cut-out:</b> | Ø 22.5 mm      |
| <b>Mounting type:</b>    | Panel mounting |

### OPERATING-/INDICATION PART

|                          |         |
|--------------------------|---------|
| <b>Lever colour:</b>     | Black   |
| <b>Lever bar colour:</b> | White   |
| <b>Lever material:</b>   | plastic |
| <b>Lever shape:</b>      | short   |

### ELECTRICAL CHARACTERISTICS

|                   |   |
|-------------------|---|
| <b>Standards:</b> | The switches comply with the "Standards for low-voltage switching devices" DIN EN 60947-1 |
|-------------------|---|

### MECHANICAL CHARACTERISTICS

|                             |                               |
|-----------------------------|-------------------------------|
| <b>Switching action:</b>    | Maintained - Rest - Momentary |
| <b>Switching positions:</b> | 3 positions                   |

**Switching angle:** 42° left / 42° right  
**Mechanical lifetime:** ≤2.5 Mil. cycles of operation  
**Weight:** 0.027 kg

**AMBIENT CONDITION**

**IP Protection:** IP65 front side  
**Operating temperature:** - 40 °C ... + 55 °C  
**Storage temperature:** - 40 °C ... + 85 °C

**CERTIFICATE**

**REACH:** REACH compliant  
**RoHS:** RoHS compliant

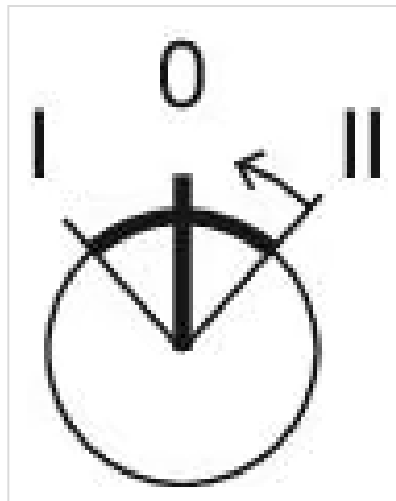
**OTHER**

**Short Description:** Actuator, Ø 22.5 mm, 30 mm x 30 mm, non illuminative, Black, short, Square, Grey, Plastic, Maintained - Rest - Momentary

**Hints:** Max. 3 switching elements can be clipped on

**max. number of switching elements:** 3

**Switching positions:**



**Wiring diagrams:**



**Mounting cut-outs:**



- A = Screw terminal
- B = Push-in terminal (PIT)
- C = Plug-in terminal 6.3 mm x 0.8 mm
- D = Double plug-in terminal 6.3 mm x 0.8 mm

**Dimension drawings:**



A = Screw terminal