

# Actuator

704.510.008I

Distribution by  
Mouser



<https://mouser.eao.com/component/704.510.008I...>

Your product:

---



## 704.510.008I Actuator

*Loading . . .*

### FRONT

|                              |               |
|------------------------------|---------------|
| <b>Front dimension:</b>      | 35 mm x 35 mm |
| <b>Front form:</b>           | Square        |
| <b>Front bezel colour:</b>   | Silver        |
| <b>Front bezel material:</b> | Plastic       |

### MOUNTING

|                          |                |
|--------------------------|----------------|
| <b>Design:</b>           | Flush          |
| <b>Mounting cut-out:</b> | 30 mm x 30 mm  |
| <b>Mounting type:</b>    | Panel mounting |

### OPERATING-/INDICATION PART

|                          |             |
|--------------------------|-------------|
| <b>Lever colour:</b>     | Black       |
| <b>Lever bar colour:</b> | translucent |
| <b>Lever material:</b>   | plastic     |
| <b>Lever shape:</b>      | short       |

### ELECTRICAL CHARACTERISTICS

|                   |   |
|-------------------|---|
| <b>Standards:</b> | The switches comply with the "Standards for low-voltage switching devices" DIN EN 60947-1 |
|-------------------|---|

### MECHANICAL CHARACTERISTICS

|                             |                   |
|-----------------------------|-------------------|
| <b>Switching action:</b>    | Rest - Maintained |
| <b>Switching positions:</b> | 2 positions       |

**Switching angle:** 90° right  
**Mechanical lifetime:** ≤2.5 Mil. cycles of operation  
**Weight:** 0.043 kg

### AMBIENT CONDITION

**IP Protection:** IP65 front side  
**Operating temperature:** – 40 °C ... + 55 °C  
**Storage temperature:** – 40 °C ... + 85 °C

### CERTIFICATE

**REACH:** REACH compliant  
**RoHS:** RoHS compliant

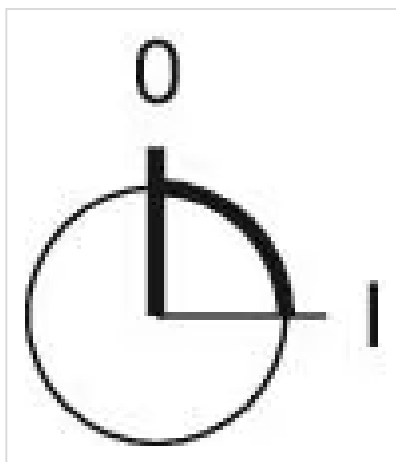
### OTHER

**Short Description:** Actuator, 30 mm x 30 mm, 35 mm x 35 mm, optional illuminative, Black, short, Square, Silver, Plastic, Rest - Maintained

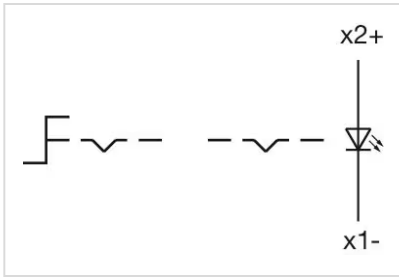
**Hints:** Max. 3 switching elements can be clipped on

**max. number of switching elements:** 3

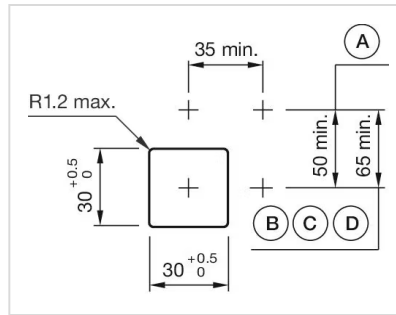
**Switching positions:**



**Wiring diagrams:**

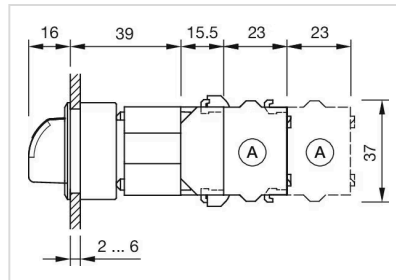


**Mounting cut-outs:**



- A = Screw terminal
- B = Push-in terminal (PIT)
- C = Plug-in terminal 6.3 mm x 0.8 mm
- D = Double plug-in terminal 6.3 mm x 0.8 mm

**Dimension drawings:**



- A = Screw terminal