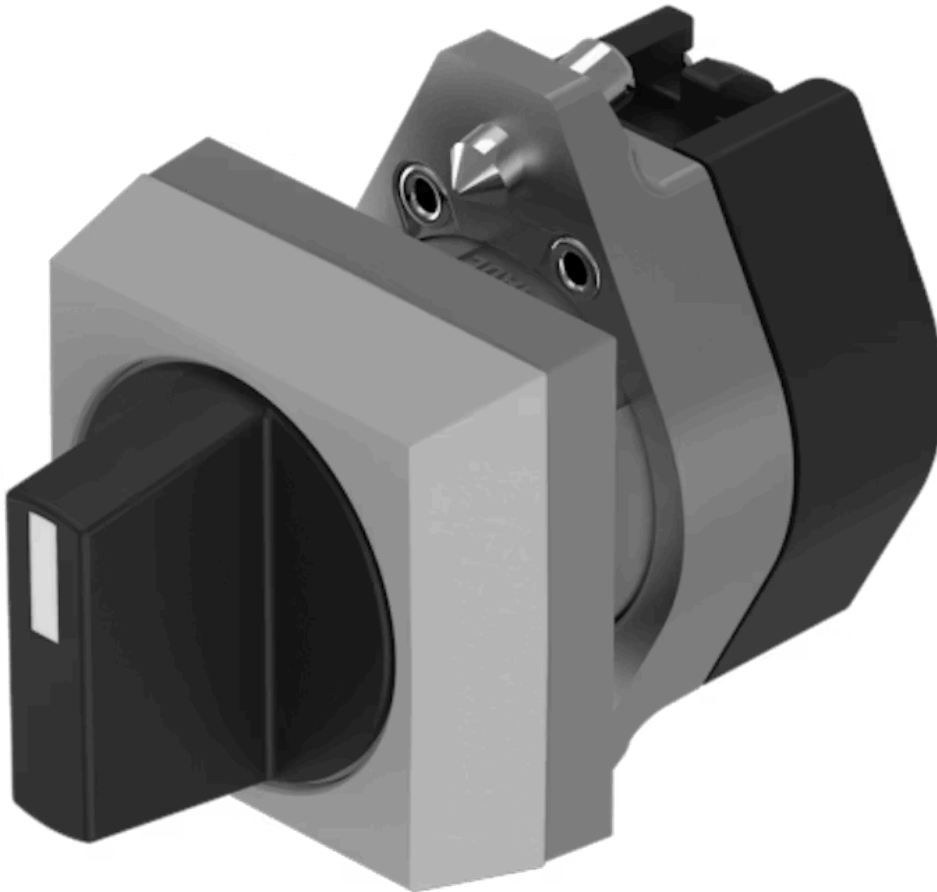


Actuator

704.510.1KN

Distribution by
Mouser



<https://mouser.eao.com/component/704.510.1KN/...>

Your product:



704.510.1KN Actuator

Loading ...

FRONT

Front dimension:	30 mm x 30 mm
Front form:	Square
Front bezel colour:	Grey
Front bezel material:	Plastic

MOUNTING

Design:	Raised
Mounting type:	Panel mounting

OPERATING-/INDICATION PART

Lever colour:	Black
Lever bar colour:	White
Lever material:	plastic
Lever shape:	short

MECHANICAL CHARACTERISTICS

Weight:	0.019 kg
----------------	----------

CERTIFICATE

REACH:	REACH compliant
RoHS:	RoHS compliant

OTHER

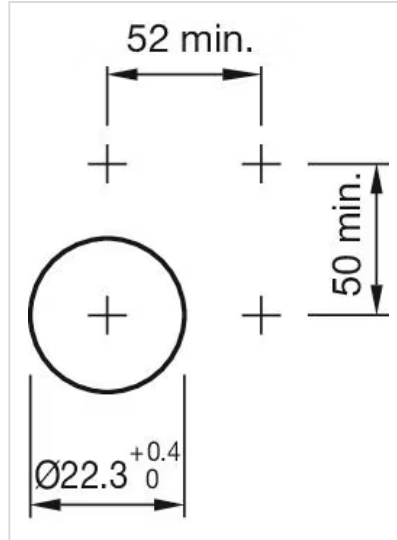
Short Description:

Actuator, 30 mm x 30 mm, non illuminative, Black, short, Square, Grey, Plastic

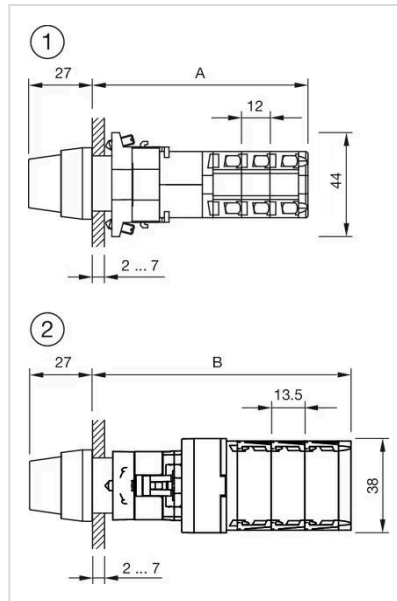
max. number of switching elements:

1

Mounting cut-outs:



Dimension drawings:



1 = Kraus & Naimer switching element
A = (Number of stages x 12) + 54.5 mm
2 = Santon switching element
B = (Number of stages x 13.5) + 54.5 mm