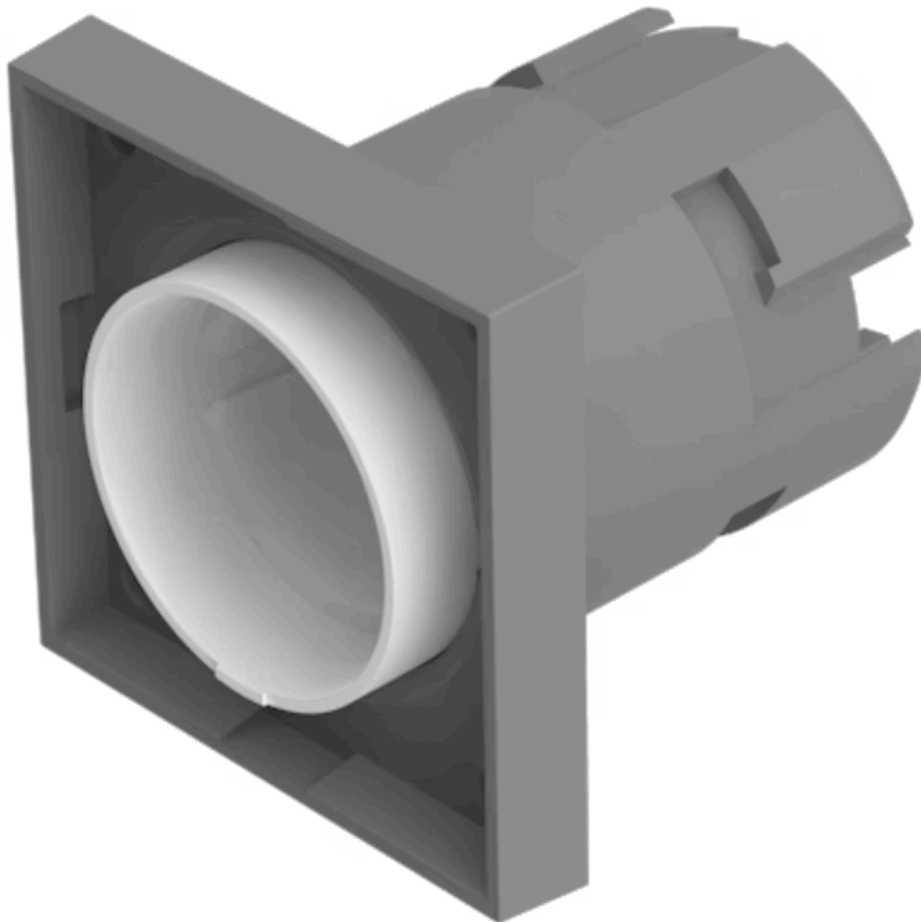


# Actuator

704.731.1

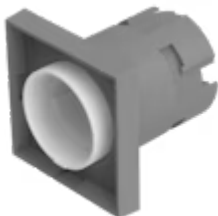
Distribution by  
Mouser



<https://mouser.eao.com/component/704.731.1/en...>

Your product:

---



## 704.731.1 Actuator

*Loading ...*

### FRONT

**Front dimension:** 30 mm x 30 mm

**Front form:** Square

### MOUNTING

**Design:** Raised

**Mounting type:** Panel mounting

### OPERATING-/INDICATION PART

**Lens illumination:** Illuminated

### ELECTRICAL CHARACTERISTICS

**Standards:** The switches comply with the "Standards for low-voltage switching devices" DIN EN 60947-1

### MECHANICAL CHARACTERISTICS

**Switching action:** Momentary

**Mechanical lifetime:** ≤3 Mil. cycles of operation

**Operating force:** 8 N

**Operating Travel:** ca. 5.8 mm ± 0.2 mm

**Weight:** 0.008 kg

### AMBIENT CONDITION

**IP Protection:** IP65 front side

**Operating temperature:** - 40 °C ... + 55 °C

**Storage temperature:** - 40 °C ... + 85 °C

### CERTIFICATE

**REACH:** REACH compliant

**RoHS:** RoHS compliant

### OTHER

**Short Description:** Actuator, 30 mm x 30 mm, Illuminated, Square, Momentary

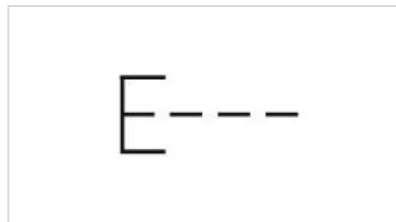
**Housing colour:** Grey

**Housing material:** Plastic

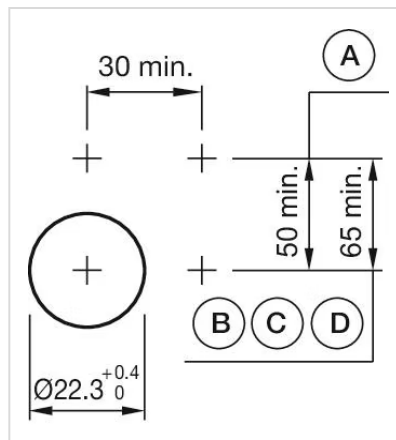
**Hints:** Max. 3 switching elements can be clipped on

**max. number of switching elements:** 3

**Wiring diagrams:**

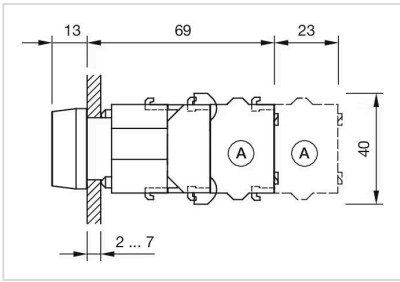


**Mounting cut-outs:**

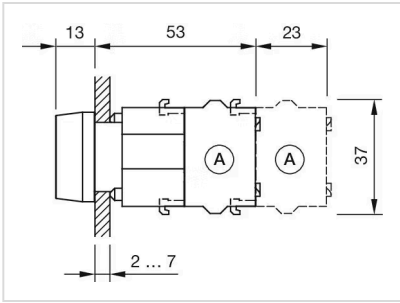


- A = Screw terminal
- B = Push-in terminal (PIT)
- C = Plug-in terminal 6.3 mm x 0.8 mm
- D = Double plug-in terminal 6.3 mm x 0.8 mm

**Dimension drawings:**



A = Screw terminal



A = Screw terminal