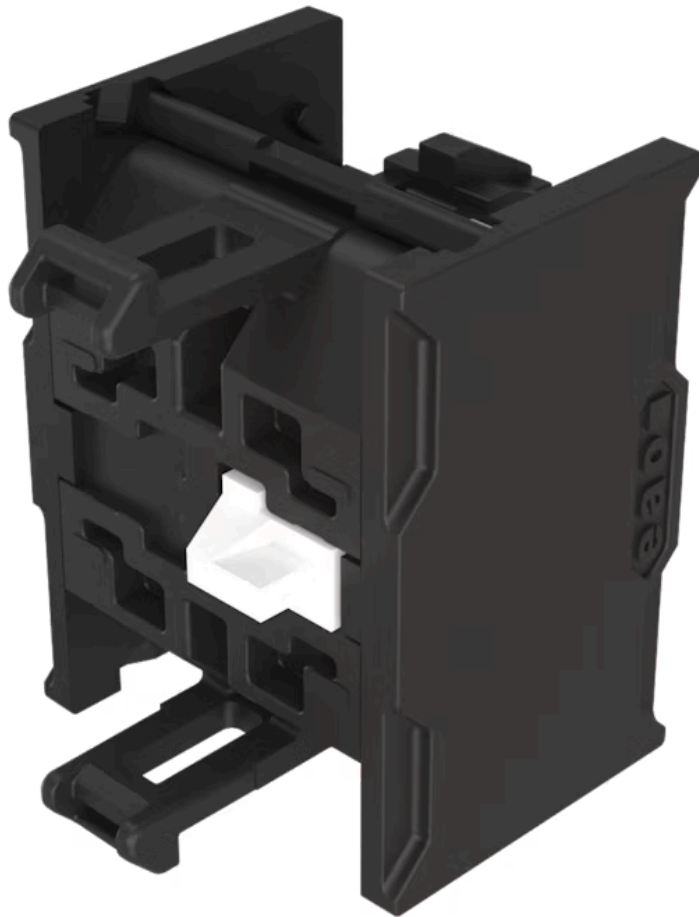


# Switching element - New Version

704.912.1-1

Distribution by  
Mouser



<https://mouser.eao.com/component/704.912.1-1/...>

Your product:



## 704.912.1-1 Switching element - New Version

*Loading ...*

### ELECTRICAL CHARACTERISTICS

#### Switching voltage and switching current:

|   |                   |       |
|---|-------------------|-------|
| as per DIN EN IEC 60947-5-1   |                   |       |
| voltage   | DC13              | AC15  |
| 24 V  | 4.0 A             | 8.0 A |
| 60 V  | 1.5 A             | 8.0 A |
| 110 V   | 1.0 A             |       |
| 120 V   |                   | 8.0 A |
| 230 V   | 0.4 A             | 7.0 A |
| 400 V   | 0.2 A             | 5.0 A |
| 500 V   | 0.15 A            | 4.0 A |
| as per UL 60947-5-1   |                   |       |
| voltage   | power             |       |
| 24 VDC  | 4.0 A, Pilot duty |       |
| 60 VDC  | 1.5 A, Pilot duty |       |
| 120 VDC   | 1.0 A, Pilot duty |       |
| 240 VDC   | 0.4 A, Pilot duty |       |
| 415 VDC   | 0.2 A, Pilot duty |       |
| 480 VDC   | 0.14A, Pilot duty |       |
| 120 VAC   | 8.0 A, Pilot duty |       |
| 240 VAC   | 7.0 A, Pilot duty |       |
| 415 VAC   | 5.0 A, Pilot duty |       |
| 480 VAC   | 4.0 A, Pilot duty |       |
| For voltages greater than $U_e = 400$ V,<br>the grid dimensions must not be<br>less than 35 mm x 50 mm. |                   |       |

**Contacts:** 1 NO

**Forward voltage:**

**Rated impulse withstand voltage  
U<sub>imp</sub>:** 4 kV

**Rated insulation voltage U<sub>i</sub>:** 500 V

#### Recommended minimum operational data:

|                      |        |         |
|----------------------|--------|---------|
| Gold-silver contacts |        |         |
| Voltage              | 24 VDC | 110 VDC |
| Current              | 5 mA   | 2 mA    |
| Hard silver contacts |        |         |
| Voltage              | 24 VDC | 110 VDC |
| Current              | 50 mA  | 10 mA   |

**Switching rating:** 500 V AC @ 10 A

**Electrical lifetime:** 50 000 cycles of operation (500 VAC, 10 A)

**Pollution degree:** 3

**Standards:** The switches comply with the "Standards for low-voltage switching devices" DIN

**Thermal current I<sub>th</sub>:** Max. current as per EN IEC 60947-5-1 10 A

## MECHANICAL CHARACTERISTICS

**Terminal:** Screw terminal

**Contact material:** Palladium

**Switching system:** Slow-make switching element

**Switching system:** The double-break, slow-make switching element is equipped with one or two independent contact systems, acting as normally open or normally closed contact. The normally closed contact has forced opening. Slow-make contacts with forced action are ideal for high switch ratings.

**Operating force:** 1 Normally closed approx. 2 N, 1 Normally open approx. 3 N

**Tightening torque:** Screw terminal 0.8 Nm

**Wire cross section:** Wire cross-section 0.75 ... 2.5 mm<sup>2</sup> / AWG 18 to AWG 14  
Skinning wire 10 mm  
Max. number of wires: 2  
Wire cross-section of stranded cable 0.5 ... 1.5 mm<sup>2</sup> / AWG 24 to AWG 18  
use stranded wires only with wire end ferrules of 10 mm length  
Max. number of stranded cables: 2  
Only one polarity is allowed on each side when wiring.

**Weight:** 0.02 kg

## AMBIENT CONDITION

**IP Protection:** IP20

**Operating temperature:** - 40 °C ... + 55 °C

**Storage temperature:** - 40 °C ... + 85 °C

**Shock resistance:** (single impacts, semi-sinusoidal) 300 m/s<sup>2</sup>, pulse width 18 ms, as per DIN EN 60068-2-27

**Vibration resistance:** (sinusförmig) 100 m/s<sup>2</sup> bei 10 Hz...500 Hz, nach DIN EN 60068-2-6, Erhöhtes Breitbandrauschen nach DIN EN 61373, Klasse 1B

**Climate resistance:** Relative humidity 10 %rh ... 95 %rh (non-condensing) original packaging according to DIN EN IEC 60721-3-1 Class 1C1

## CERTIFICATE

**Approbations:** CB (IEC 60947-5-1), cULus, DNV, VDE

**Conformities:** CE, CCC, UKCA

**REACH:** REACH compliant

**RoHS:** RoHS compliant

**OTHER**

**Short Description:**

Switching element - New Version, Slow-make switching element, 500 V AC @ 10 A, Palladium, 1 NO, Screw terminal

**Hints:**

When using the switching element, the application guidelines must be observed. For the third switching element the terminal marking insert is to be ordered separately

Operating temperature: Other temperatures on request

A suitable enclosure is required for applications with increased protection requirements. In North America, the product must be installed in an enclosure in accordance with UL 50E Type 2 or higher.

**Special requirements:**

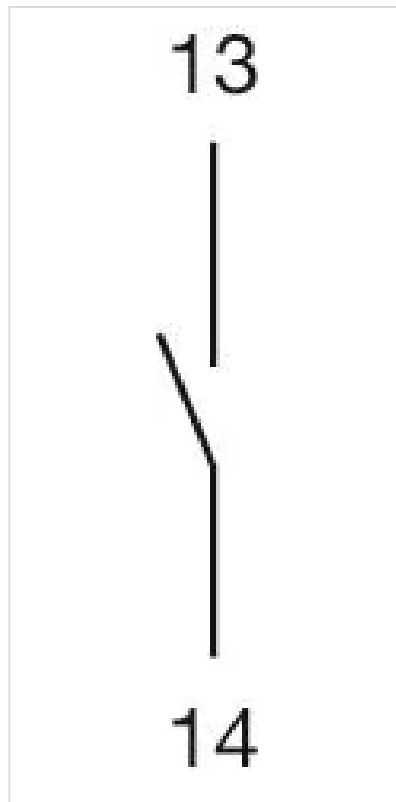
Special requirements for positive-opening auxiliary current switches  
Positive opening travel

Minimum force

Max. travel

Emerg  
Emerg  
which i  
Emerg

**Wiring diagrams:**



**Dimension drawings:**

