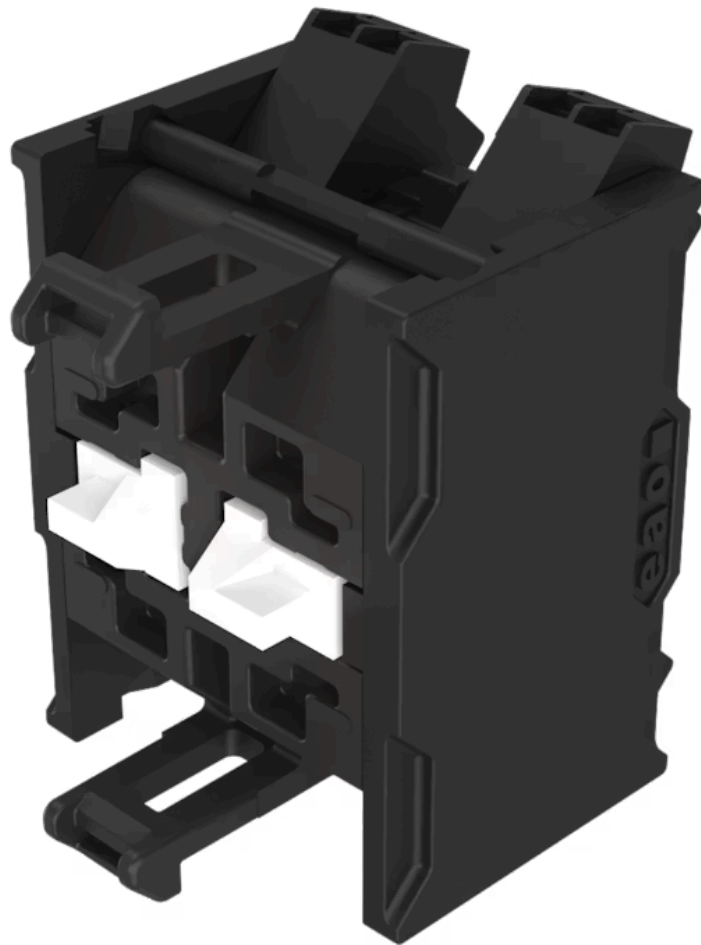


Switching element - New Version

704.918.3-1

Distribution by
Mouser



<https://mouser.eao.com/component/704.918.3-1/...>

Your product:



704.918.3-1 Switching element - New Version

Loading ...

ELECTRICAL CHARACTERISTICS

| | | | |
|---|-----------------------------|-------------------|-------|
| Switching voltage and switching current: | as per DIN EN IEC 60947-5-1 | | |
| | voltage | DC13 | AC15 |
| | 24 V | 4.0 A | 8.0 A |
| | 60 V | 1.5 A | 8.0 A |
| | 110 V | 1.0 A | |
| | 120 V | | 8.0 A |
| | 230 V | 0.4 A | 7.0 A |
| | 400 V | 0.2 A | 5.0 A |
| | 500 V | 0.15 A | 4.0 A |
| | as per UL 60947-5-1 | | |
| | voltage | power | |
| | 24 VDC | 4.0 A, Pilot duty | |
| | 60 VDC | 1.5 A, Pilot duty | |
| | 120 VDC | 1.0 A, Pilot duty | |
| | 240 VDC | 0.4 A, Pilot duty | |
| | 415 VDC | 0.2 A, Pilot duty | |
| | 480 VDC | 0.14A, Pilot duty | |
| 120 VAC | 8.0 A, Pilot duty | | |
| 240 VAC | 7.0 A, Pilot duty | | |
| 415 VAC | 5.0 A, Pilot duty | | |
| 480 VAC | 4.0 A, Pilot duty | | |

Contacts: 2 NO

Forward voltage:

Rated impulse withstand voltage Uimp: 4 kV

Rated insulation voltage Ui: 500 V

Recommended minimum operational data:

| | | |
|----------------------|--------|--|
| Gold-silver contacts | | |
| Voltage | 24 VDC | |
| Current | 5 mA | |
| Hard silver contacts | | |
| Voltage | 24 VDC | |
| Current | 50 mA | |

Switching rating: 250 V AC @ 6 A

Electrical lifetime: 50 000 cycles of operation (500 VAC, 10 A)

Pollution degree: 3

Standards: The switches comply with the "Standards for low-voltage switching devices" DIN EN IEC UL 60947-5-1

Thermal current Ith: Max. current as per EN IEC 60947-5-1 6 A

MECHANICAL CHARACTERISTICS

Terminal: Push-in terminal

Contact material: Silver

Switching system: Slow-make switching element

Switching system: The double-break, slow-make switching element is equipped with one or two independent contact systems, acting as normally open or normally closed contact. The normally closed contact has forced opening. Slow-make contacts with forced action are ideal for high switch ratings.

Operating force: 1 Normally closed approx. 2 N, 1 Normally open approx. 3 N

Wire cross section: Wire cross-section 0.2 ... 1.0 mm² / AWG 24 to AWG 18

Skinning wire 8 mm
Max. number of wires: 2
stranded cables 0.2 ... 0.75 mm²/ AWG 24 bis AWG 18
use stranded wires only with wire end ferrules of 8 mm length
Max. number of stranded cables: 2
Only one polarity is allowed on each side when wiring.

Weight: 0.025 kg

AMBIENT CONDITION

IP Protection: IP20

Operating temperature: - 40 °C ... + 55 °C

Storage temperature: - 40 °C ... + 85 °C

Shock resistance: (single impacts, semi-sinusoidal) 300 m/s², pulse width 18 ms, as per DIN EN 60068-2-27

Vibration resistance: (sinusförmig) 100 m/s² bei 10 Hz...500 Hz, nach DIN EN 60068-2-6, Erhöhtes Breitbandrauschen nach DIN EN 61373, Klasse 1B

Climate resistance: Relative humidity 10 %rh ... 95 %rh (non-condensing) original packaging according to DIN EN IEC 60721-3-1 Class 1C1

CERTIFICATE

Approbations: CB (IEC 60947-5-1), cULus, DNV, VDE

Conformities: CE, CCC, UKCA

REACH: REACH compliant

RoHS: RoHS compliant

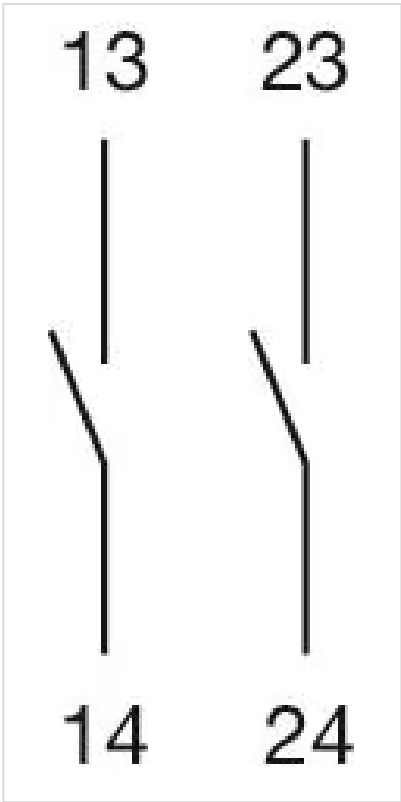
OTHER

Short Description: Switching element - New Version, Slow-make switching element, 250 V AC @ 6 A, Silver, 2 NO, Push-in terminal

Hints: When using the switching element, the application guidelines must be observed. For the third switching element the terminal marking insert is to be ordered separately
Operating temperature: Other temperatures on request
A suitable enclosure is required for applications with increased protection requirements. In North America, the product must be installed in an enclosure in accordance with UL 50E Type 2 or higher.

Special requirements: Special requirements for positive-opening auxiliary current switches
Positive opening travel Emerge
Minimum force Emerge
Max. travel which i
Emerge

Wiring diagrams:



Dimension drawings:

