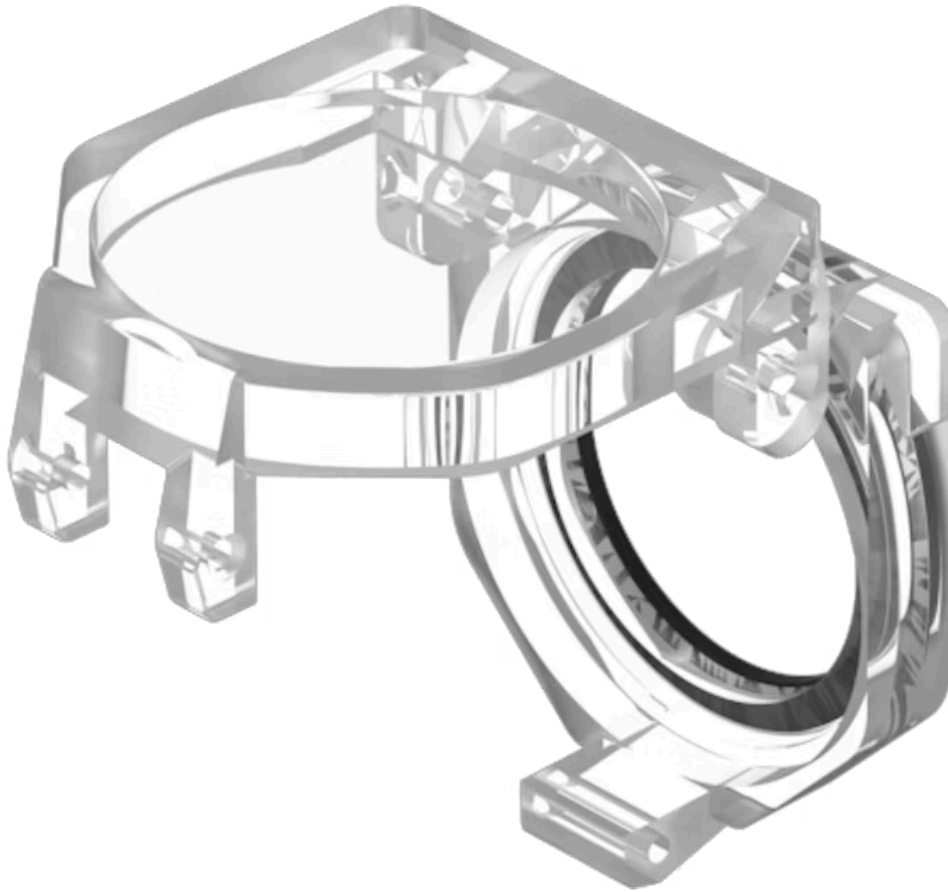


# Protection cover

704.925.0

Distribution by  
Mouser



<https://mouser.eao.com/component/704.925.0/en...>

Your product:



## 704.925.0 Protection cover

*Loading ...*

### ELECTRICAL CHARACTERISTICS

**Forward voltage:**

### MECHANICAL CHARACTERISTICS

**Weight:** 0.007 kg

### OTHER

**Short Description:** Protection cover, Plastic, transparent

**Title Accessory:** Protection cover

**Material:** Plastic

**Product attributes:** For push button

**Hints:** Hinged, with means for sealing

**Optics:** transparent

**Dimension drawings:**

