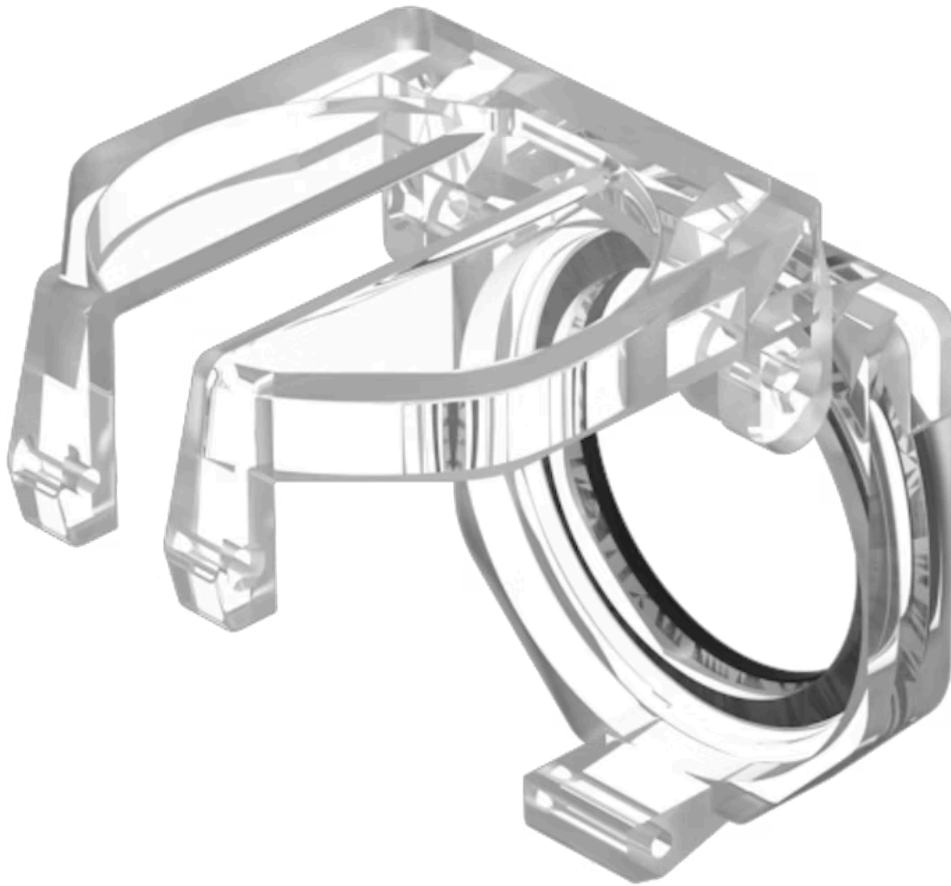


# Protection cover

704.925.2

Distribution by  
Mouser



<https://mouser.eao.com/component/704.925.2/en...>

Your product:

---



## 704.925.2 Protection cover

*Loading ...*

### MECHANICAL CHARACTERISTICS

**Weight:** 0.007 kg

### OTHER

**Short Description:** Protection cover, Plastic, transparent

**Titel Accessory:** Protection cover

**Material:** Plastic

**Product attributes:** For selector switch

**Hints:** Hinged, with means for sealing

**Optics:** transparent

**Dimension drawings:**

