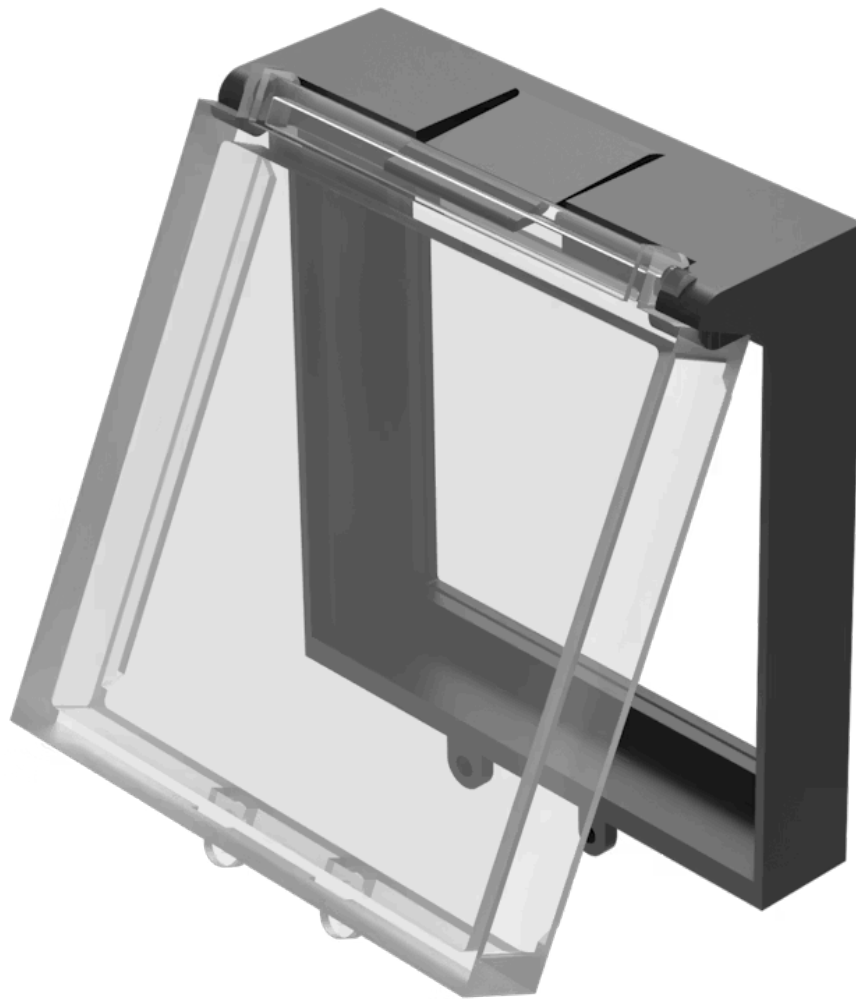


Protective cover

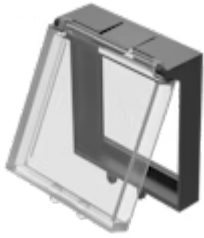
704.925.8

Distribution by
Mouser



<https://mouser.eao.com/component/704.925.8/en...>

Your product:



704.925.8 Protective cover

Loading . . .

MOUNTING

Mounting cut-out: 30 mm x 30 mm

MECHANICAL CHARACTERISTICS

Weight: 0.007 kg

OTHER

Short Description: Protective cover, 38.5 mm x 45 mm, 30 mm x 30 mm, Plastic, transparent

Titel Accessory: Protective cover

Dimension: 38.5 mm x 45 mm

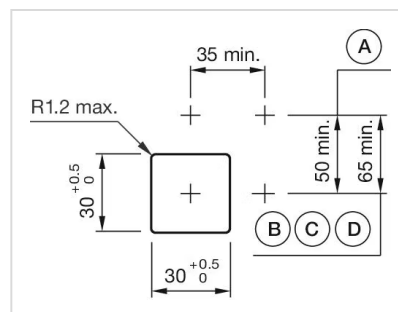
Material: Plastic

Product attributes: For push button

Hints: Hinged, with means for sealing
Front panel thickness reduces by 2 mm
Please note that bigger minimum distances are necessary

Optics: transparent

Mounting cut-outs:



A = Screw terminal
B = Push-in terminal (PIT)
C = Plug-in terminal 6.3 mm x 0.8 mm
D = Double plug-in terminal 6.3 mm x 0.8 mm

Dimension drawings:

