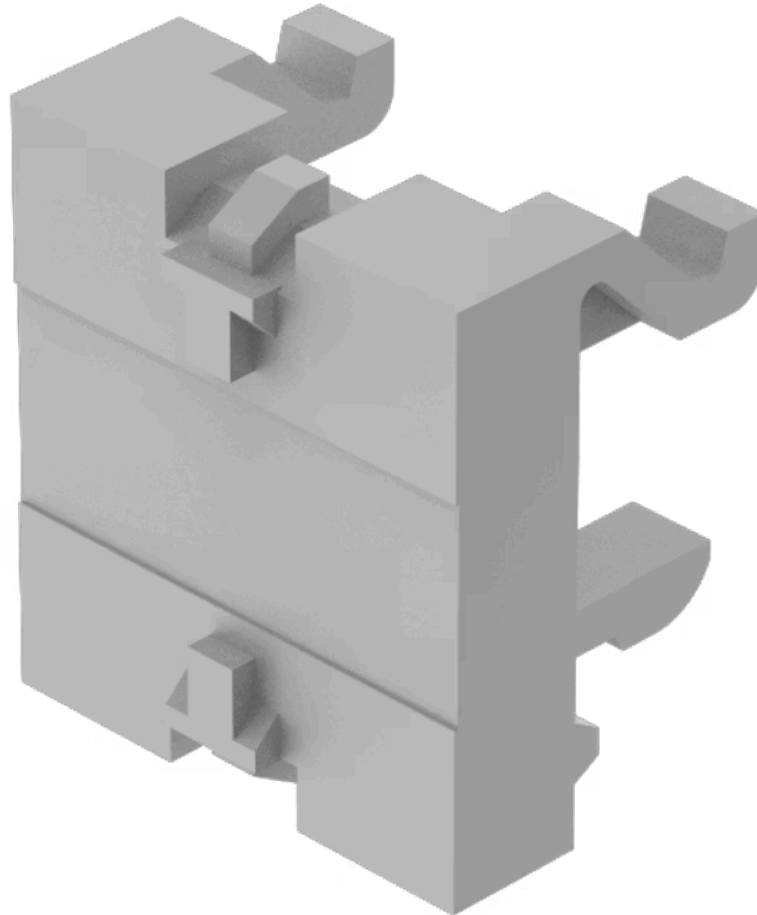


Snap-on base

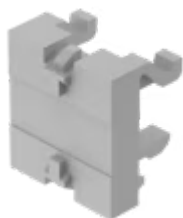
704.940.9

Distribution by
Mouser



<https://mouser.eao.com/component/704.940.9/en...>

Your product:



704.940.9 Snap-on base

Loading ...

FRONT

Colour: Black

ELECTRICAL CHARACTERISTICS

Forward voltage:

MECHANICAL CHARACTERISTICS

Weight: 0.006 kg

OTHER

Short Description: Snap-on base, Plastic, Black

Titel Accessory: Snap-on base

Material: Plastic

Product attributes: To snap-on, for seperate mounting of lamp transformer, resistor block or capacitor block

Dimension drawings:

