

Flasher element

704.943.2P

Distribution by
Mouser



<https://mouser.eao.com/component/704.943.2P/e...>

Your product:



704.943.2P Flasher element

Loading ...

ELECTRICAL CHARACTERISTICS

Operating voltage: 130 V AC/DC +10%

Operation current: 3 mA

MECHANICAL CHARACTERISTICS

Terminal: Push-in terminal

Weight: 0.02 kg

AMBIENT CONDITION

IP Protection: IP30 rear side

Operating temperature: 0 °C ... + 50 °C

CERTIFICATE

REACH: REACH compliant

RoHS: RoHS compliant

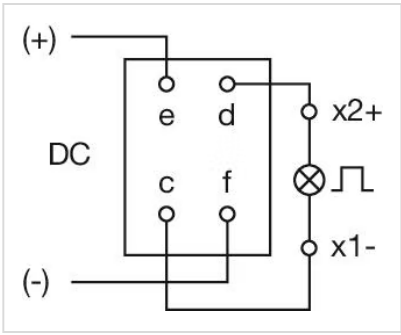
OTHER

Short Description: Flasher element, 130 V AC/DC +10%, Push-in terminal

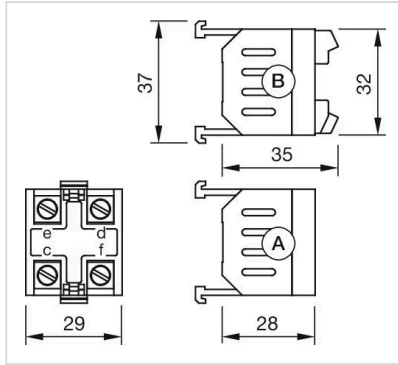
Housing material: Plastic, according to UL 94 V0

Product attributes: Lamp voltage/-current 130 V, 3 mA

Wiring diagrams:



Dimension drawings:



A = Screw terminal
 Push-in terminal (PIT)