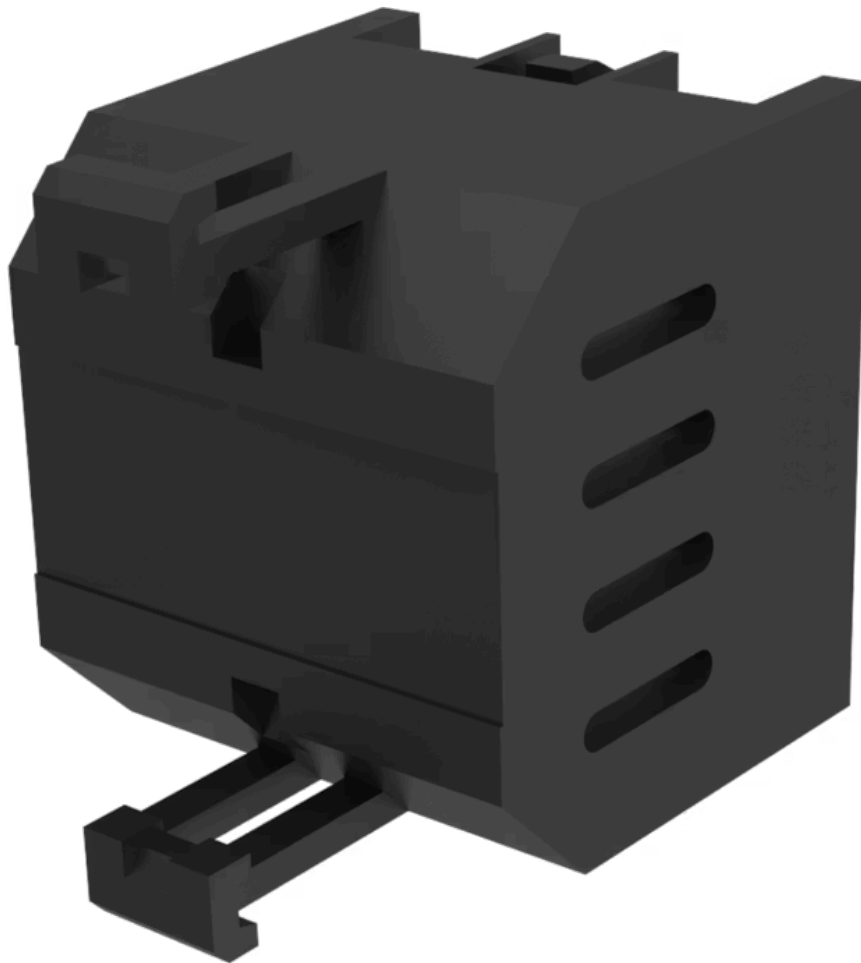


Flasher element

704.943.5

Distribution by
Mouser



<https://mouser.eao.com/component/704.943.5/en...>

Your product:



704.943.5 Flasher element

Loading ...

ELECTRICAL CHARACTERISTICS

Operating voltage: 24 V AC/DC ± 15 %

Operation current: 10 - 85 mA

MECHANICAL CHARACTERISTICS

Terminal: Screw terminal

Weight: 0.023 kg

AMBIENT CONDITION

IP Protection: IP30 rear side

Operating temperature: 0 °C ... + 50 °C

CERTIFICATE

REACH: REACH compliant

RoHS: RoHS compliant

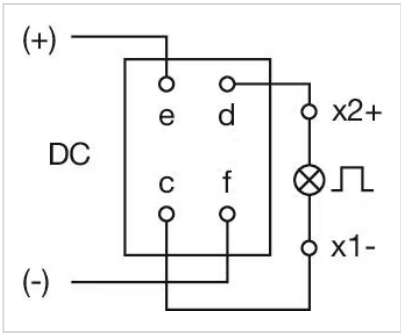
OTHER

Short Description: Flasher element, 24 V AC/DC ± 15 %, Screw terminal

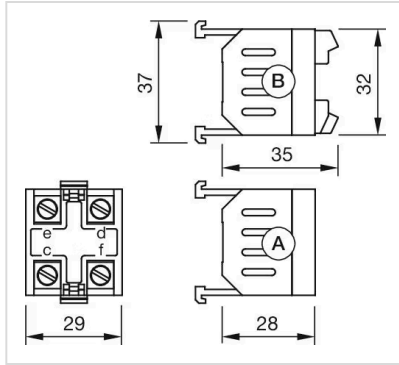
Housing material: Plastic, according to UL 94 V0

Product attributes: Lamp voltage/-current 24 V, 10 ... 85 mA

Wiring diagrams:



Dimension drawings:



A = Screw terminal
 Push-in terminal (PIT)