

# Lamp block

704.950.0B

Distribution by  
Mouser



<https://mouser.eao.com/component/704.950.0B/e...>

Your product:

---



## 704.950.0B Lamp block

*Loading ...*

### ELECTRICAL CHARACTERISTICS

**Standards:** The switches comply with the "Standards for low-voltage switching devices" DIN EN 60947-1/DIN EN 60947-5-1

### MECHANICAL CHARACTERISTICS

**Terminal:** Ring cable lug screw terminal

**Switching positions:** 2 positions

**Tightening torque:** Screw terminal 0.5 Nm

**Wire cross section:** Max. wire cross-section 2 mm x 2.5 mm<sup>2</sup>  
Skinning wire 10 mm  
Max. wire cross-section of stranded cable 2 x 1.5 mm<sup>2</sup>  
use stranded wires only with wire end ferrules of 10 mm length  
Only one polarity is allowed on each side when wiring.

**Weight:** 0.014 kg

### AMBIENT CONDITION

**IP Protection:** IP00

**Operating temperature:** - 40 °C ... + 55 °C

**Storage temperature:** - 40 °C ... + 85 °C

**Shock resistance:** Max. 300 m/s<sup>2</sup>, pulse width 11 ms (sinusoidal EN IEC 60068-2-27)

**Vibration resistance:** Max. 100 m / s<sup>2</sup> from 10 Hz ... 500 Hz, (sinusoidal EN IEC 60068-2-6)

**Climate resistance:** Relative humidity, max. 95%, non-condensing

### CERTIFICATE

**REACH:**

REACH compliant

**RoHS:**

RoHS compliant

**OTHER**

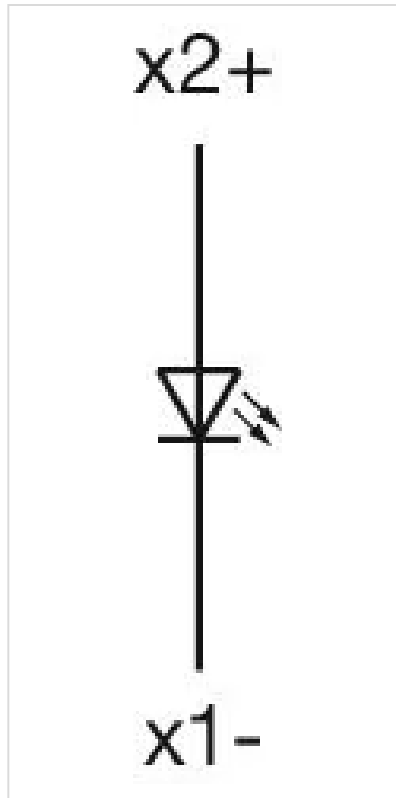
**Short Description:** Lamp block, Plastic, Ring cable lug screw terminal

**Housing material:** Plastic

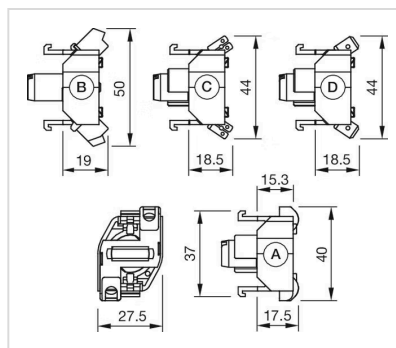
**Product attributes:** For ring cable shoe

**Hints:** When using the lamp block, the application guidelines must be observed.

**Wiring diagrams:**



**Dimension drawings:**



A = Screw terminal  
 B = Push-in terminal (PIT)  
 C = Plug-in terminal 6.3 mm x 0.8 mm  
 D = Double plug-in terminal 6.3 mm x 0.8 mm