

Lamp block

704.951.0

Distribution by
Mouser



<https://mouser.eao.com/component/704.951.0/en...>

Your product:



704.951.0 Lamp block

Loading ...

ELECTRICAL CHARACTERISTICS

Standards: The switches comply with the "Standards for low-voltage switching devices" DIN EN 60947-1/DIN EN 60947-5-1

MECHANICAL CHARACTERISTICS

Terminal: Screw terminal

Switching positions: 3 positions

Tightening torque: Screw terminal 0.5 Nm

Wire cross section: Max. wire cross-section 2 mm x 2.5 mm²
Skinning wire 10 mm
Max. wire cross-section of stranded cable 2 x 1.5 mm²
use stranded wires only with wire end ferrules of 10 mm length
Only one polarity is allowed on each side when wiring.

Weight: 0.017 kg

AMBIENT CONDITION

IP Protection: IP00

Operating temperature: - 40 °C ... + 55 °C

Storage temperature: - 40 °C ... + 85 °C

Shock resistance: Max. 300 m/s², pulse width 11 ms (sinusoidal EN IEC 60068-2-27)

Vibration resistance: Max. 100 m / s² from 10 Hz ... 500 Hz, (sinusoidal EN IEC 60068-2-6)

Climate resistance: Relative humidity, max. 95%, non-condensing

CERTIFICATE

REACH:

REACH compliant

RoHS:

RoHS compliant

OTHER

Short Description:

Lamp block, Plastic, Screw terminal

Housing material:

Plastic

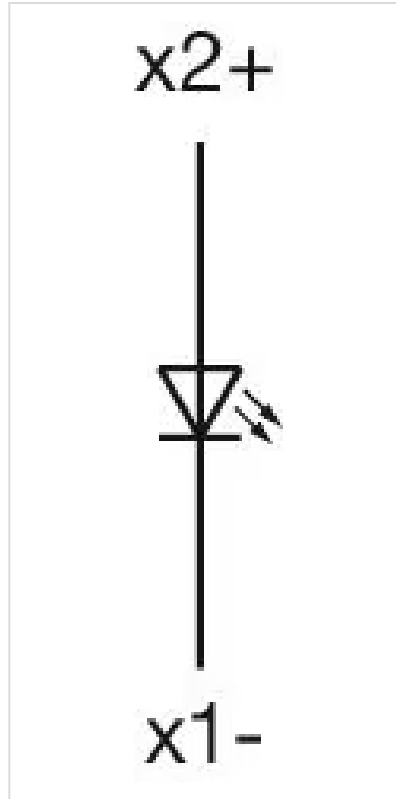
Hints:

When using the lamp block, the application guidelines must be observed.

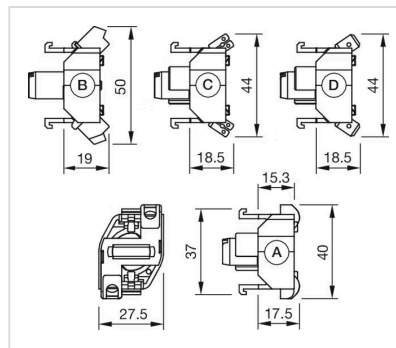
Suitable for connection:

Screw terminal

Wiring diagrams:



Dimension drawings:



- A = Screw terminal
- B = Push-in terminal (PIT)
- C = Plug-in terminal 6.3 mm x 0.8 mm
- D = Double plug-in terminal 6.3 mm x 0.8 mm