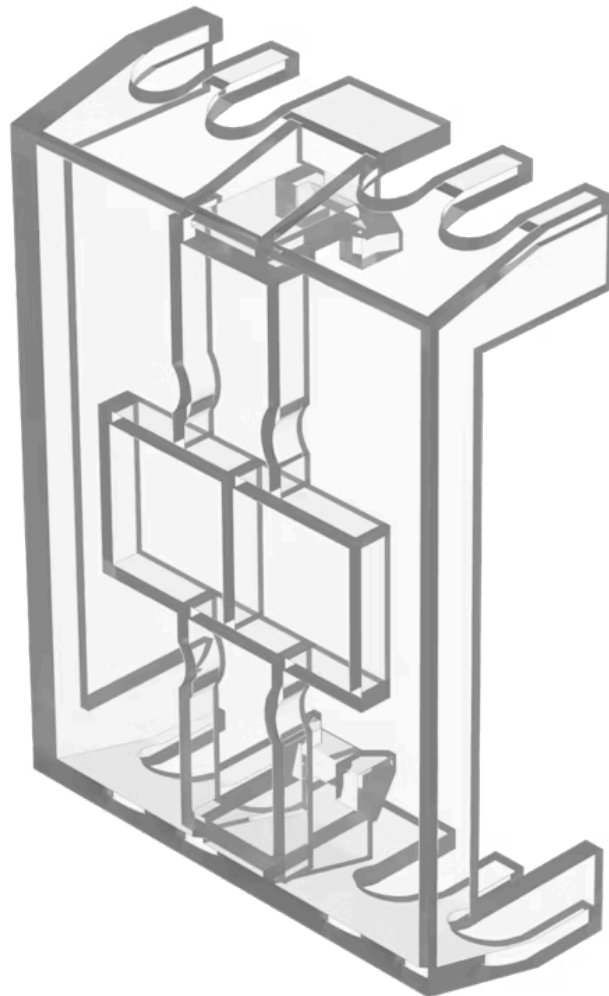


# Terminal cover

704.964.5

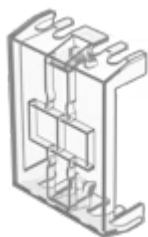
Distribution by  
Mouser



<https://mouser.eao.com/component/704.964.5/en...>

Your product:

---



## 704.964.5 Terminal cover

*Loading ...*

### ELECTRICAL CHARACTERISTICS

**Forward voltage:**

### MECHANICAL CHARACTERISTICS

**Terminal:** Screw terminal

**Weight:** 0.003 kg

### OTHER

**Short Description:** Terminal cover, Plastic, Screw terminal

**Titel Accessory:** Terminal cover

**Material:** Plastic

**Product attributes:** For covering of screw terminal

**Dimension drawings:**

