

Actuator

71-600.0

Distribution by
Mouser



Your product:



71-600.0 Actuator

Loading ...

MOUNTING

Mounting type: Panel mounting

MECHANICAL CHARACTERISTICS

Weight: 0.004 kg

AMBIENT CONDITION

IP Protection: IP65 front side

Operating temperature: – 25 °C ... + 55 °C

CERTIFICATE

REACH: REACH compliant

RoHS: RoHS compliant

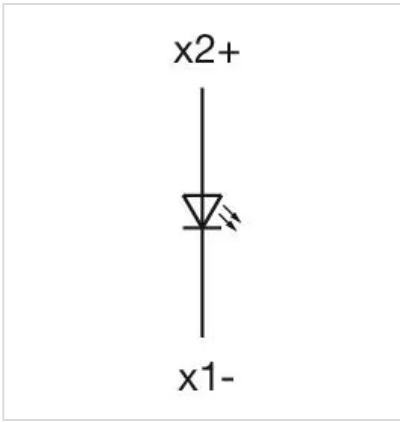
OTHER

Short Description: Actuator

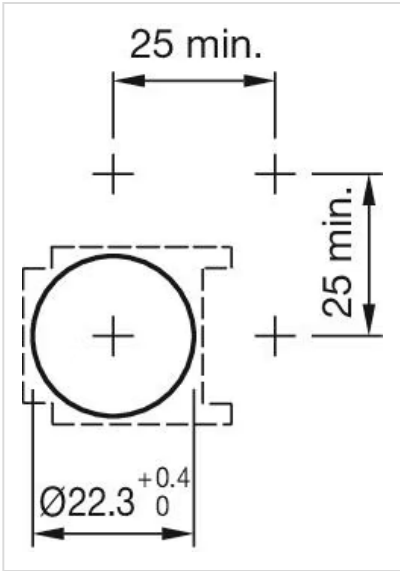
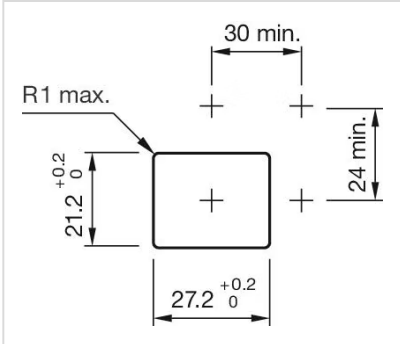
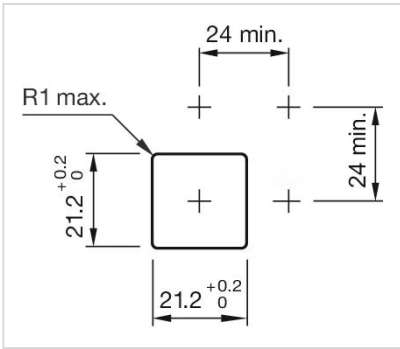
Material: Plastic

Hints: Pitch of the front plate mounting holes must agree with the printed circuit board holes Ø 3.5 mm

Wiring diagrams:



Mounting cut-outs:



Dimension drawings:

