

# Actuator

71-  
635.0/D

Distribution by  
Mouser



<https://mouser.eao.com/component/71-635.0/D/e...>

Your product:



## 71-635.0/D Actuator

Loading ...

### MOUNTING

**Mounting type:** Panel mounting

### ELECTRICAL CHARACTERISTICS

**Switching voltage and switching current:**

|  |         |         |
|--|---------|---------|
| Switch rating AC $\cos\phi$ 0,7 ... 0,8<br>gemäss EN IEC 60947-5-1 |         |         |
| Voltage  | 250 VAC |         |
| Current  | 3 A     |         |
| Switch rating DC<br>gemäss EN IEC 60947-5-1                        |         |         |
| Voltage  | 24 VDC  | 250 VDC |
| Current  | 3 A     | 0.5 A   |

**Surge voltage resistance:** 2500 VAC, 50 Hz, 1 minute, as per DIN / IEC 60512-2 between all terminals and earth

**Recommended minimum operational data:**

|         |          |
|---------|----------|
| Voltage | 5 VAC/DC |
| Current | 10 mA    |

### MECHANICAL CHARACTERISTICS

**Switching action:** Maintained (a) - Rest (a) - Maintained (a)

**Switching system:** Self-cleaning, double-break snap action switching system, 1 normally closed and 1 normally open contact per element.

**Switching positions:** 3 positions

**Switching angle:** 90° left / 90° right

**Mechanical lifetime:** 50 000 cycles of operation

**Tightening torque:** Fixing nut max. 0.5 Nm

**Weight:** 0.026 kg

### AMBIENT CONDITION

**IP Protection:** IP65 front side

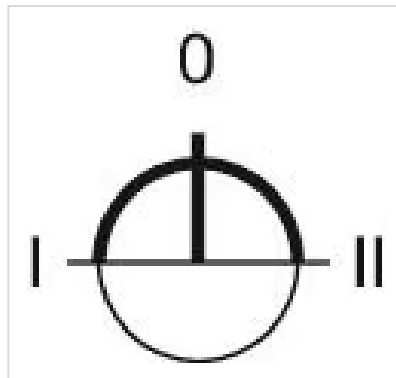
|                               |  |
|-------------------------------|--|
| <b>Operating temperature:</b> | - 25 °C ... + 55 °C  |
| <b>Storage temperature:</b>   | - 40 °C ... + 85 °C  |
| <b>Shock resistance:</b>      | Max. 500 m/s <sup>2</sup> , pulse width, 3-axis (sinusoidal EN IEC 60068-2-27)             |
| <b>Vibration resistance:</b>  | Max. 100 m / s <sup>2</sup> from 10 Hz ... 500 Hz, (sinusoidal EN IEC 60068-2-6)           |
| <b>Climate resistance:</b>    | Damp heat, steady: 56 days, + 40 °C/93 % relative humidity, according to EN IEC 60068-2-78 |

## CERTIFICATE

|                      |   |
|----------------------|---|
| <b>Conformities:</b> | CE, UKCA, 2011 / 65 / EC (RoHS), 2014 / 35 / EU (LVD) |
| <b>REACH:</b>        | REACH compliant                                       |
| <b>RoHS:</b>         | RoHS compliant  |

## OTHER

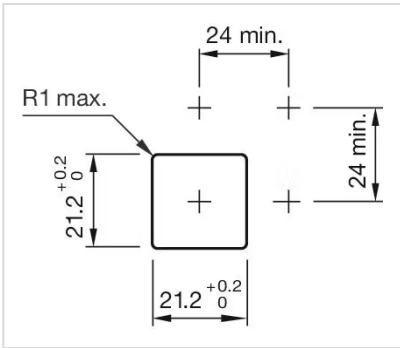
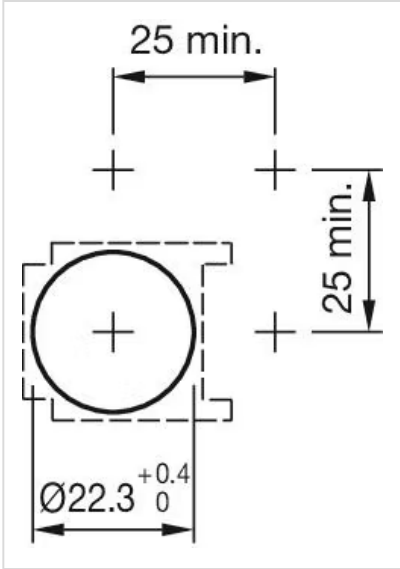
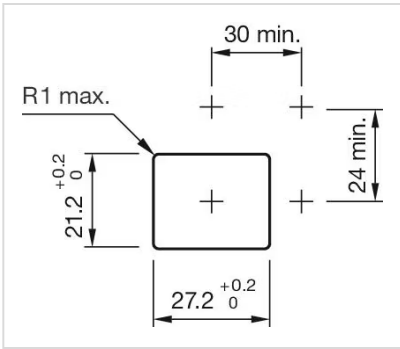
|                             |  |
|-----------------------------|--|
| <b>Short Description:</b>   | Actuator, Maintained (a) - Rest (a) - Maintained (a) |
| <b>Housing material:</b>    | Plastic, according to UL 94 V0                       |
| <b>Product attributes:</b>  | Standard lock: DOM 311                               |
| <b>Hints:</b>               | Standard lock: DOM 311                               |
| <b>Switching positions:</b> |  |



## Wiring diagrams:



## Mounting cut-outs:



**Dimension drawings:**

