

Actuator

71-
638.0/D

Distribution by
Mouser



<https://mouser.eao.com/component/71-638.0/D/e...>

Your product:



71-638.0/D Actuator

Loading ...

MOUNTING

Mounting type: Panel mounting

ELECTRICAL CHARACTERISTICS

Switching voltage and switching current:

| | | |
|--|---------|---------|
| Switch rating AC $\cos\phi$ 0,7 ... 0,8 gemäss EN IEC 60947-5-1 | | |
| Voltage | 250 VAC | |
| Current | 3 A | |
| Switch rating DC gemäss EN IEC 60947-5-1 | | |
| Voltage | 24 VDC | 250 VDC |
| Current | 3 A | 0.5 A |

Surge voltage resistance: 2500 VAC, 50 Hz, 1 minute, as per DIN / IEC 60512-2 between all terminals and earth

Recommended minimum operational data:

| | |
|---------|----------|
| Voltage | 5 VAC/DC |
| Current | 10 mA |

MECHANICAL CHARACTERISTICS

Switching action: Momentary - Rest (a) - Maintained

Switching system: Self-cleaning, double-break snap action switching system, 1 normally closed and 1 normally open contact per element.

Switching positions: 3 positions

Switching angle: 42° left / 90° right

Mechanical lifetime: 50 000 cycles of operation

Tightening torque: Fixing nut max. 0.5 Nm

Weight: 0.026 kg

AMBIENT CONDITION

IP Protection: IP65 front side

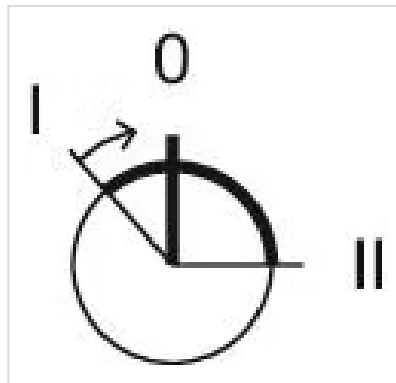
| | |
|-------------------------------|--|
| Operating temperature: | - 25 °C ... + 55 °C |
| Storage temperature: | - 40 °C ... + 85 °C |
| Shock resistance: | Max. 500 m/s ² , pulse width, 3-axis (sinusoidal EN IEC 60068-2-27) |
| Vibration resistance: | Max. 100 m / s ² from 10 Hz ... 500 Hz, (sinusoidal EN IEC 60068-2-6) |
| Climate resistance: | Damp heat, steady: 56 days, + 40 °C/93 % relative humidity, according to EN IEC 60068-2-78 |

CERTIFICATE

| | |
|----------------------|---|
| Conformities: | CE, UKCA, 2011 / 65 / EC (RoHS), 2014 / 35 / EU (LVD) |
| REACH: | REACH compliant |
| RoHS: | RoHS compliant |

OTHER

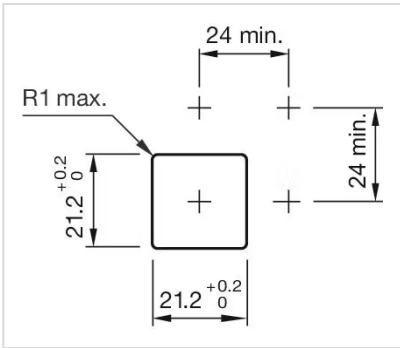
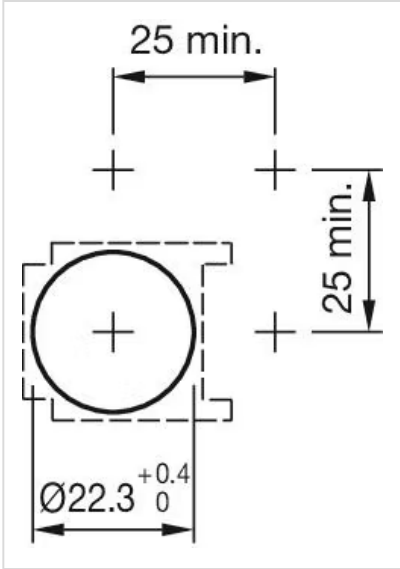
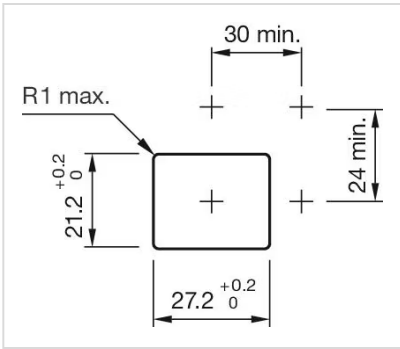
| | |
|-----------------------------|---|
| Short Description: | Actuator, Momentary - Rest (a) - Maintained |
| Housing material: | Plastic, according to UL 94 V0 |
| Product attributes: | Standard lock: DOM 311 |
| Hints: | Standard lock: DOM 311 |
| Switching positions: | |



Wiring diagrams:



Mounting cut-outs:



Dimension drawings:

