

# Indicator 22 mm

82-6551.0134

Distribution by  
Mouser



<https://mouser.eao.com/component/82-6551.0134...>

Your product:

---



## 82-6551.0134 Indicator 22 mm

*Loading ...*

### FRONT

<b>Front dimension:</b>	Ø 25 mm
<b>Front form:</b>	Round
<b>Front bezel material:</b>	Aluminium
<b>Front bezel shape:</b>	Flush

### MOUNTING

<b>Mounting cut-out:</b>	Ø 22 mm
<b>Mounting type:</b>	Panel mounting

### OPERATING-/INDICATION PART

<b>Lens colour:</b>	Nature
<b>Lens material:</b>	Aluminium
<b>Lens illumination:</b>	Illuminated
<b>Lens shape:</b>	Flush
<b>Lens optics:</b>	opaque
<b>Illumination colour:</b>	Green
<b>Shape of illumination:</b>	Ring

### ELECTRICAL CHARACTERISTICS

<b>Switching voltage and switching current:</b>	according to UL 508 (Silver contacts) cosφ 0,75 ... 0,8	
	Voltage	Current
	120 VAC	5 A
	240 VAC	3 A
	24 VAC	1 A

according to IEC 60947-5-1 (Silver contacts)

Service categorie AC-15

Voltage

24 VAC

35 VAC

110 VAC

220 VAC

Switch rating DC service categorie DC-13 (Silver contacts)

Voltage

24 VDC

35 VDC

110 VDC

220 VDC

Current

1 A

1 A (M12 version)

1 A

0.5 A

Current

0.7 A

0.5 A (M12 version)

0.2 A

0.1 A

<b>Operating voltage:</b>	24 V AC/DC
<b>Operation current:</b>	7 mA
<b>Rated Operational Voltage Ue:</b>	250 VAC
<b>Rated insulation voltage Ui:</b>	250 V
<b>Short circuit protective device:</b>	fuse / 500 V / 5 A / gG
<b>Rated short-circuit current caused:</b>	AC: 1 kA DC: 1 kA
<b>Electrical lifetime:</b>	50 000 cycles of operation
<b>Electric strength:</b>	1500 VAC, 50 Hz 1 minute between life terminals and ground
<b>Pollution degree:</b>	2, according to EN IEC 60947-1
<b>Thermal current Ith:</b>	5 A

## MECHANICAL CHARACTERISTICS

<b>Terminal:</b>	Soldering terminal, 2.8 x 0.5 mm
<b>Tightening torque:</b>	0.5 ... 0.6 Nm
<b>Weight:</b>	0.018 kg

## AMBIENT CONDITION

<b>IP front protection:</b>	IP65, IP67
<b>Operating temperature:</b>	- 30 °C ... + 70 °C
<b>Storage temperature:</b>	- 40 °C ... + 80 °C
<b>Shock resistance:</b>	Max. 500 m / s <sup>2</sup> as per IEC 60068-2-27
<b>Vibration resistance:</b>	10 ... 500 Hz, amplitude 1.5 mm p-p according to IEC 60068-2-6
<b>Climate resistance:</b>	Damp heat, 21 days according to IEC 60512-11

## CERTIFICATE

**Approbations:** CB, CCC, C UL, UL

**Conformities:** CE, 2011 / 65 / EC (RoHS), 2014 / 35 / EU (LVD)

**REACH:** REACH compliant

**RoHS:** RoHS compliant

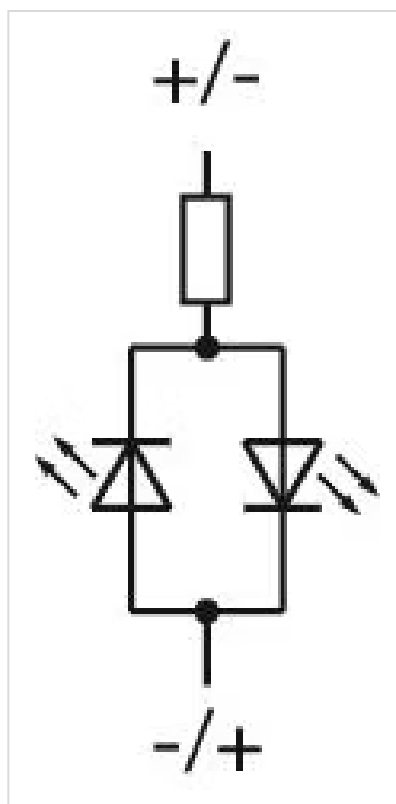
**OTHER**

**Short Description:** Indicator 22 mm, 24 V AC/DC, Soldering terminal, 2.8 x 0.5 mm, Round, Aluminium, Green, Nature

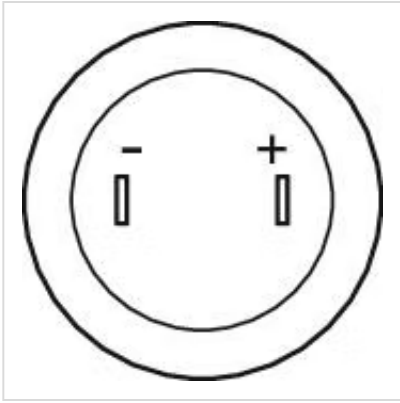
**Kind of illumination:** Single-LED

**Housing size:** 19 mm

**Wiring diagrams:**



**Component layouts:**



**Mounting cut-outs:**



**Dimension drawings:**



A = Solder terminal  
B = Screw terminal