

# Capacitive sensor switch with IO-Link Hygiene

84-ACKS-C11-04C0

Distribution by  
Mouser



<https://mouser.eao.com/component/84-ACKS-C11-...>

Your product:

---



## 84-ACKS-C11-04C0

### Capacitive sensor switch with IO-Link Hygiene

*Loading . . .*

#### FRONT

<b>Front dimension:</b>	Ø 30 mm
<b>Front form:</b>	Round
<b>Front bezel material:</b>	Stainless steel 316L

#### MOUNTING

<b>Design:</b>	Flush
<b>Mounting cut-out:</b>	Ø 22.5 mm
<b>Mounting type:</b>	Panel mounting

#### OPERATING-/INDICATION PART

<b>Lens material:</b>	Plastic
<b>Lens illumination:</b>	Illuminated
<b>Lens shape:</b>	Flush
<b>Lens optics:</b>	transparent
<b>Symbol:</b>	STOP (C11)

#### ELECTRICAL CHARACTERISTICS

<b>Operating voltage:</b>	8.4 - 32 V DC
<b>Communication interface:</b>	IO-Link specification

#### MECHANICAL CHARACTERISTICS

<b>Terminal:</b>	Connector M12
------------------	---------------

**Switching system:** Capacitive  
**Operating force:** No actuating force necessary  
**Weight:** 0.001 kg

#### **AMBIENT CONDITION**

**IP front protection:** IP69K  
**IK front protection:** IK08  
**Operating temperature:** – 30 °C ... + 65 °C  
**Climate resistance:** Relative humidity, max. 95%, non-condensing

#### **CERTIFICATE**

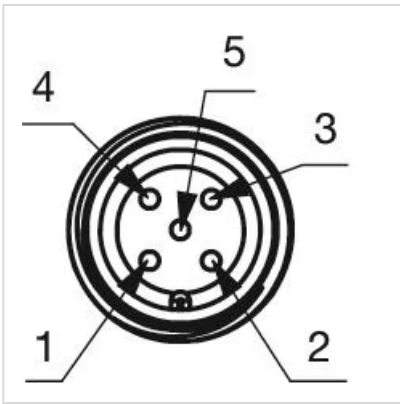
**Approbations:** CSA, EHEDG  
**Conformities:** CE, UKCA  
**REACH:** REACH compliant  
**RoHS:** RoHS compliant

#### **OTHER**

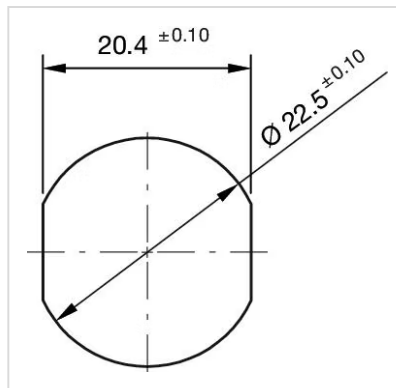
**Short Description:** Capacitive sensor switch with IO-Link Hygiene, Ø 22.5 mm, Ø 30 mm, Flush, Illuminated, Plastic, transparent, Round, Stainless steel 316L, Connector M12, IP69K, IK08, STOP (C11)  
**Housing colour:** Black  
**Housing material:** Plastic  
**Wiring diagrams:**



**Component layouts:**



**Mounting cut-outs:**



**Dimension drawings:**

