

Actuator

92-
143.500

Distribution by
Mouser



<https://mouser.eao.com/component/92-143.500/e...>

Your product:



92-143.500 Actuator

Loading ...

FRONT

Front dimension:	18,8 mm x 18,8 mm
Front form:	Square
Front bezel colour:	Black
Front bezel material:	Plastic

MOUNTING

Design:	PCB
Mounting type:	Panel mounting

OPERATING-/INDICATION PART

Lens colour:	Green
Lens material:	Plastic
Lens illumination:	Illuminated
Lens shape:	Flush
Lens optics:	transparent

MECHANICAL CHARACTERISTICS

Tightening torque:	Fixing nut max. 0.5 Nm, Fixing screw mounting flange 0.4 Nm
Weight:	0.019 kg

AMBIENT CONDITION

IP front protection:	IP67
-----------------------------	------

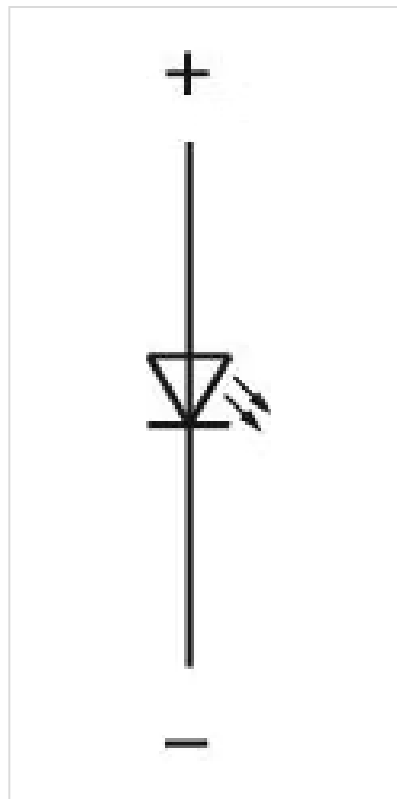
IP Protection: IP67 front side
Operating temperature: - 25 °C ... + 70 °C
Storage temperature: - 40 °C ... + 80 °C

CERTIFICATE

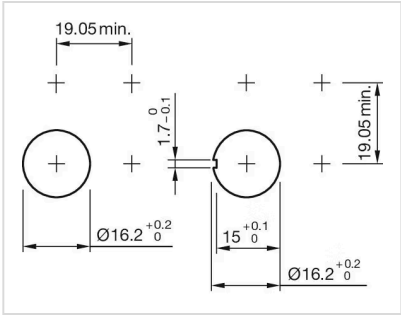
Approbations: CQC
Conformities: CE, UKCA, 2011 / 65 / EC (RoHS), 2014 / 35 / EU (LVD)
REACH: REACH compliant
RoHS: RoHS compliant

OTHER

Short Description: Actuator, 18,8 mm x 18,8 mm, Flush, Illuminated, Green, Plastic, transparent, Square, Black, Plastic, IP67
Dimension: 18.8 mm x 18.8 mm
Housing colour: Black
Housing material: Plastic
Wiring diagrams:



Mounting cut-outs:



Dimension drawings:

