

Indicator element

92-800.042

Distribution by
Mouser



<https://mouser.eao.com/component/92-800.042/e...>

Your product:



92-800.042 Indicator element

Loading . . .

ELECTRICAL CHARACTERISTICS

Forward voltage:

MECHANICAL CHARACTERISTICS

Terminal: PCB terminal

Weight: 0 kg

CERTIFICATE

REACH: REACH compliant

RoHS: RoHS compliant

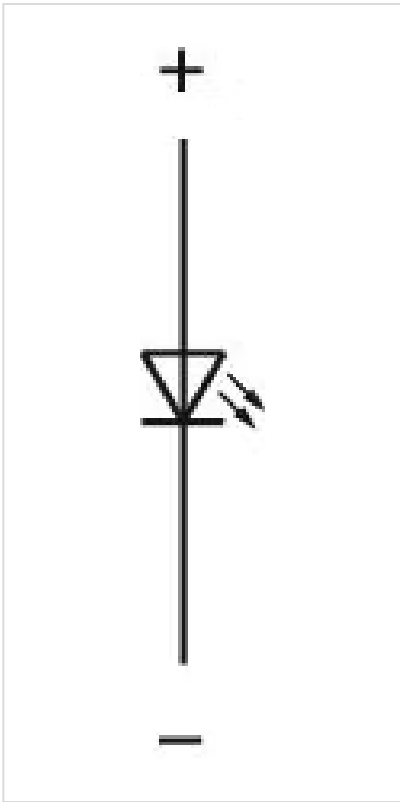
OTHER

Short Description: Indicator element, PCB terminal

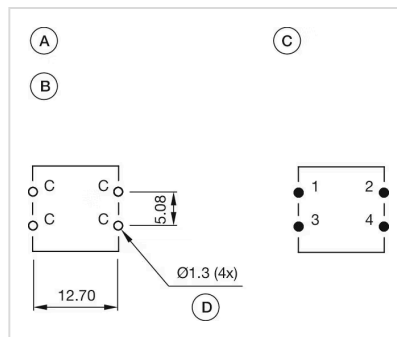
Material: Plastic

Hints: The customer has to decide what series resistor shall be used to the LED LED and mounting flange to be ordered separately

Wiring diagrams:



Component layouts:



- A = Switching element without illumination
- B = Drilling plan (component side)
- C = Occupancy plan (component side)
- D = Hole for switching element

Dimension drawings:

